

# XIAMEN YOUME ELECTRIC CO.,LTD

Room 112.ChangJiang Business Center 1/F,No.270 ChangHao Road,Xiamen,China



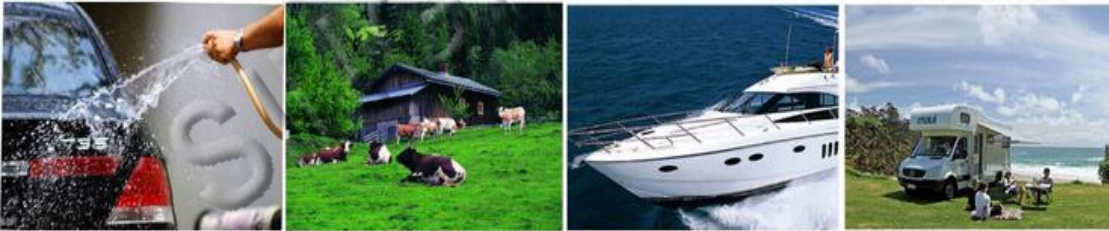
Tel:86-592-5612511 Fax:86-592-5626361

E-mail:sales@singflo.com

## FL-35S Washdown Deck Pump Kits

### Application:

- \*Ideal for cleaning leisure boats,Fish boxes,anchor chains and dinghies.
- \*Agriculture/Yacht/RV/Caravan pressurized water system
- \*Cleaning machine,Humidifier,Water purification,Medical apparatus
- \*Any other pressurization system

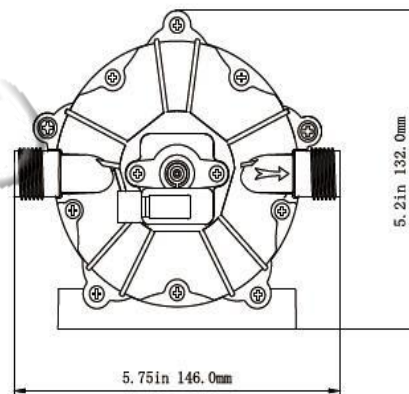
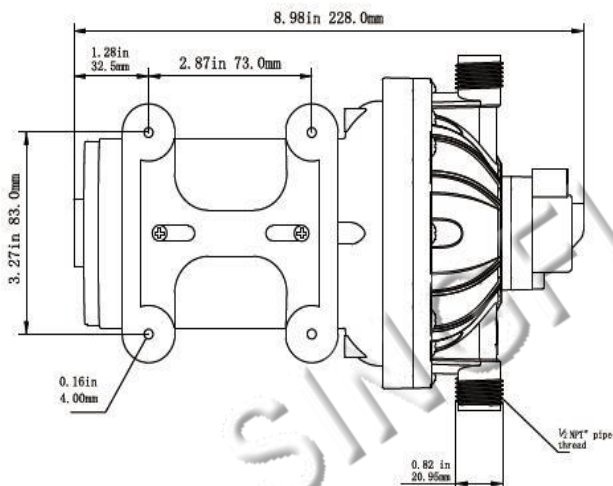


### Features & Benefits:

- \*5 chamber Positive displacement diaphragm pump for smooth and quiet flow.
- \*Self-priming,12v pump with pressure switch control.
- \*Multi-step corrosion protection and seamless motor body for enhanced protection in any wet environment.
- \*Rubber mounting feet for corrosion protection and noise reduction
- \*Run Dry without damage
- \*Ignition Protected.

### Technical data:

Model	Switch	GPM/LPM	PSI/BA R	Max. draw (A)	Valve s	Diaphrag m	Ports	Voltag e	Wire Connection s
FL-35S	Demand	5.0/18.9	70/4.8	18	EPDM	Santopren e	1/2"-14 MNPT	12V	2-pin/Leads
FL-35S	Demand	5.0/18.9	70/4.8	9	EPDM	Santopren e	1/2"-14 MNPT	24V	2-pin/Leads



## Full System including:

- 1.12V washdown Pump
- 2.Trigger Nozzle with quick connect
- 3.UV-protected 25' colled 1/2" O.D.Hose
- 4.NPT Connections and Quick-connect Adaptor
- 5.Filter/Strainer



## Package:

CTN:4pcs/CTN, Size:49X42.5X42.7cm Gross weight:20kgs

# PACKAGE

